



Indoor Rated Rotating Warning Lights

700 SERIES

Features

- Five Dome Colors
- 75 Revolutions Per Minute
- Unit's Base May be Utilized as a Junction Box
- May be Mounted Vertically, Facing Up or Down in 3 Ways:
 - Direct Surface
 - 4" (102mm) Octagon Box
 - 1/2" (13mm) NPT Conduit

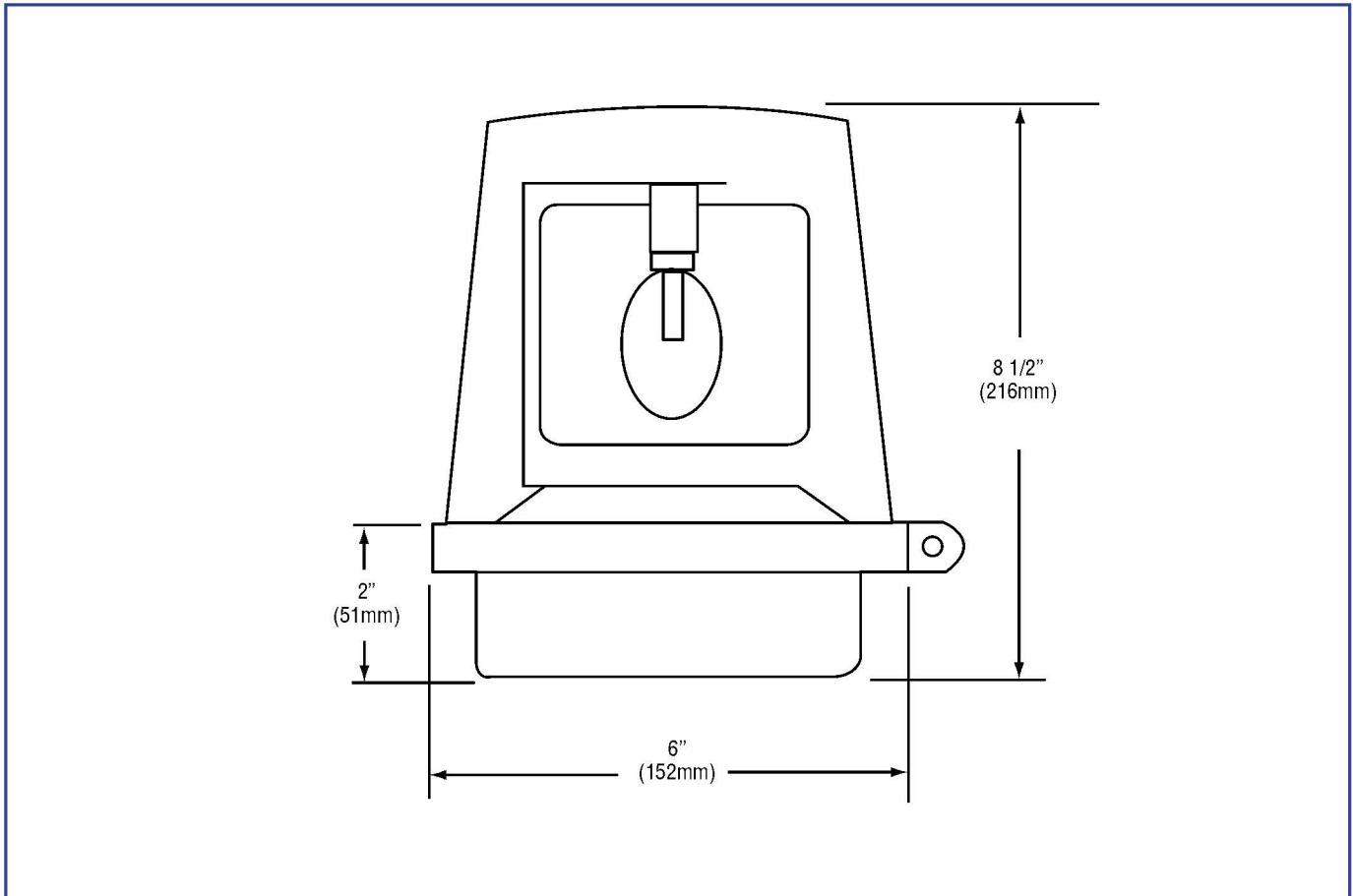
Agency Approvals

- UL Listed
- cUL Listed

Bridgeport 700 Series Rotating Lights are high performance, economical warning lights designed for both commercial and industrial uses. Their dome design features a clamp ring held in place by a single retaining screw that not only provides for unit security but also for quick and easy access. The warning light has a closed cell neoprene gasket that makes it water resistant.

The 700 series rotates at 75 revolution per minute and is available in five dome colors (amber, blue, clear, green and red). The unit may be direct surface mounted or may be mounted on a 4" (102mm) octagon box or on 1/2" (13mm) NPT Conduit.

Its design makes it easily adaptable to a multitude of indoor and outdoor applications. This light provides an effective, economical means of supplementing audible signaling devices. Bridgeport's 700 Series is an ideal light for visual signaling over large distances and for calling attention to emergency situations or process status changes.



Cat. No.	Lens Color	Repl. Dome	Candlepower	Repl. Bulb	Elect. Ratings
700-RA24	Amber	700-RLA	5,053	1638*	24VAC 1.02A
700-RB24	Blue	700-RLB	5,053	1638*	24VAC 1.02A
700-RC24	Clear	700-RLC	5,053	1638*	24VAC 1.02A
700-RG24	Green	700-RLG	5,053	1638*	24VAC 1.02A
700-RR24	Red	700-RLR	5,053	1638*	24VAC 1.02A
700-RA120	Amber	700-RLA	2,891	25T8DC**	120VAC .22A
700-RB120	Blue	700-RLB	2,891	25T8DC**	120VAC .22A
700-RC120	Clear	700-RLC	2,891	25T8DC**	120VAC .22A
700-RG120	Green	700-RLG	2,891	25T8DC**	120VAC .22A
700-RR120	Red	700-RLR	2,891	25T8DC**	120VAC .22A

*20 watts, 500 hours

**25 watts, 500 hours