



## Compact Incandescent Steady-On Lights

### 800 SERIES

#### Features

- Two Mounting Options – Surface and 1/2" (13mm) Conduit
- 18" (305mm) Wire Leads
- Impact Resistant Polycarbonate Base and Lens
- Screw-on Lens
- Five Lens Colors

#### Specifications

- 24VDC or 120VAC Operation
- Weatherproof

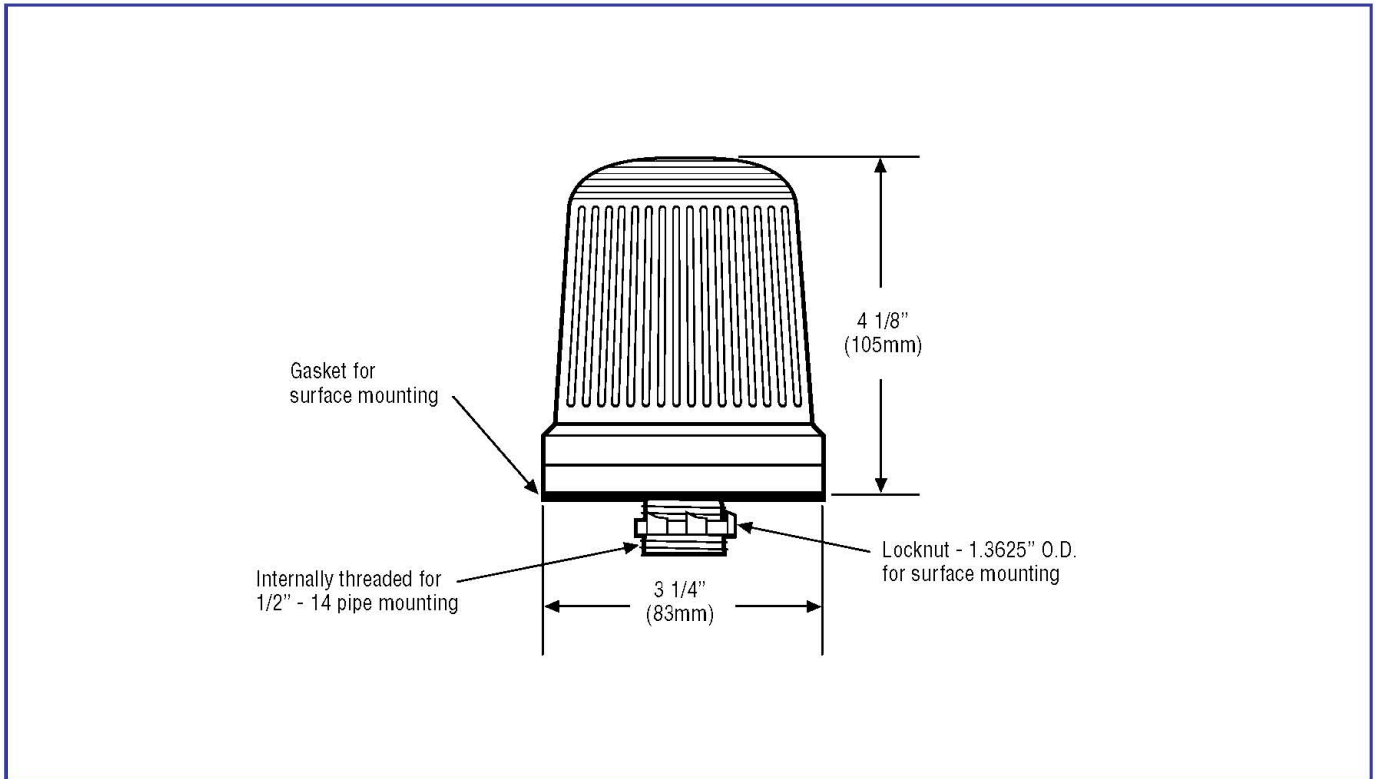
#### Agency Approvals

- UL Listed
- cUL Listed

Bridgeport 800 Series Steady-On Incandescent Lights are designed for industrial, commercial, and institutional applications where reliable and distinctive visual indication is required. The 800 Series are ideal for process control as well as vehicular applications such as tow motors. The unit's lens simply screws on to the base to allow for easy access and relamping.

Suitable for indoor or outdoor installation. When mounted outdoors the unit should be mounted with the lens facing up. A double threaded mounting nipple allows the unit to be panel mounted using the provided locknut or 1/2" (13mm) conduit mounted.

Bridgeport steady-on lights are often used in areas of extreme noise where ear protection must be worn and audible signals cannot be effectively heard. They can also be used to advise and warn personnel in process control, warehouse and manufacturing areas when an operation is changing status or malfunctioning. Bridgeport steady-on lights will be found in quiet areas such as libraries, sound and video studios and production areas where audible signals and high intensity strobes would be distracting.



Cat. No.	Lens Color	Repl. Lens	Candlepower	Repl. Bulb	Bulb Wattage	Elect. Ratings
801-ISA24	Amber	800-LA	2,375	Ind Std 1692	15W	24VDC .67A
801-ISB24	Blue	800-LB	2,375	Ind Std 1692	15W	24VDC .67A
801-ISC24	Clear	800-LC	2,375	Ind Std 1692	15W	24VDC .67A
801-ISG24	Green	800-LG	2,375	Ind Std 1692	15W	24VDC .67A
801-ISR24	Red	800-LR	2,375	Ind Std 1692	15W	24VDC .67A
801-ISA120	Amber	800-LA	1,445	Ind Std 15T7DC	15W	120VAC .15A
801-ISB120	Blue	800-LB	1,445	Ind Std 15T7DC	15W	120VAC .15A
801-ISC120	Clear	800-LC	1,445	Ind Std 15T7DC	15W	120VAC .15A
801-ISG120	Green	800-LG	1,445	Ind Std 15T7DC	15W	120VAC .15A
801-ISR120	Red	800-LR	1,445	Ind Std 15T7DC	15W	120VAC .15A