



1701-DC and 1702-DC Push-in Connectors!

1/2" & 3/4" Trade Sizes



SPECIFICATIONS

UPC Numbers: 78174791701 and 78174791702

Description: Zinc Die Cast Push-In EMT Set Screw Connectors

Application: Quickly joins EMT to an enclosure without a locknut.

Trade Size: 1/2" and 3/4".

Material: Zinc Die Cast. Ball Burnished.

Certifications & Codes

UL Standard:

UL-514B

UL File Number:

c-UL-us, E24001

Federal Specification:

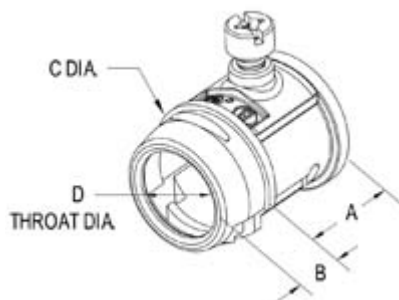
A-A-50553

Dimension A: .80

Dimension B: .38

Dimension C: .94

Dimension D: .62



Great Labor Savings Product!

- One piece design
- No locknut required
- UL Listed - Meets NEC Article 250.97 (Bonding for over 250 Volts)

Easy To Install!

- Snap fitting into the knockout
- Insert EMT into the fitting
- Tightening the set screw simultaneously secures the EMT into the fitting and locks the fitting into the box or enclosure